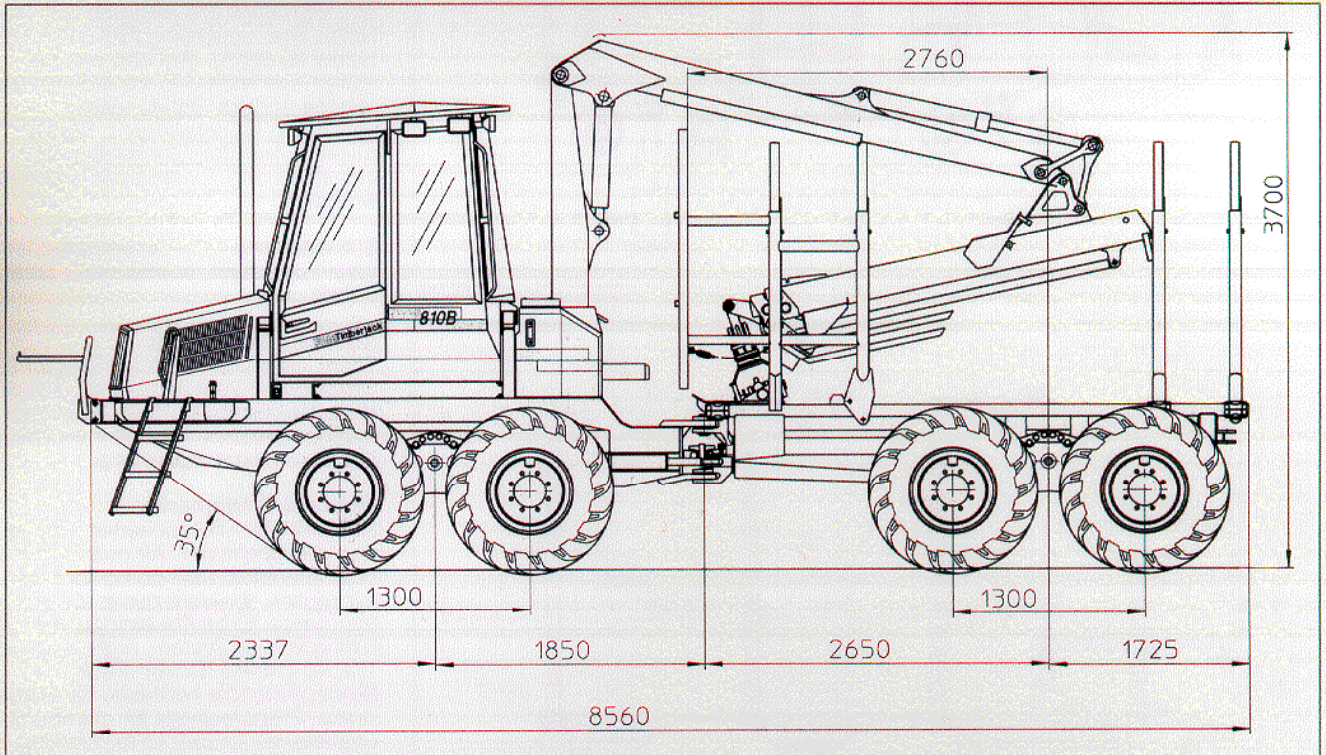


## TECHNICAL DATA



### Dimensions

Length 8560 mm  
 Width 2520 mm (600 tires),  
 2660 (700 tires).  
 Transportation height 3700 mm.  
 Ground clearance 595 mm.  
 Wheelbase 4500 mm.

### Weight

10400-11200 kg depending on options.

### Load Area

Length 4410 mm for 2x2.5 m.  
 Width 2450 mm.  
 Cross section:  
 2.7 m<sup>2</sup> for logs longer than 4 m,  
 3.4 m<sup>2</sup> for logs shorter than 4 m.  
 Load rating 8500 kg.  
 Movable headboard.

### Engine

Perkins 1004-4T water-cooled turbocharged 4-cylinder diesel engine. Output 82 kW(111 hp)/2600 rpm. Max. torque 348 Nm/1600 rpm. Fuel tank 110 l.

### Transmission

Timberjack TMC (Total Machine Control) system. Hydrostatic-mechanical power transmission. Range gear with low and high range. Inching, smooth start through pedal without dropping engine revolutions. Travel speed max. 25 km/h. Max. tractive force 110 kN.

### Axles

Bogie axles with portal type bogie beams including patented balancing units. Similar axles at front and rear. Power transmission through gears in bogie beams. Hydraulically operated mechanical differential locks front and rear. Disconnection of rear axle drive with high range.

### Steering

Articulated frame steering with two hydraulic steering cylinders. Steering angle  $\pm 40^\circ$ . Proportional steering with electric joystick.

### Tires

Front and rear 600-22.5, optional 700-22.5.

### Brakes

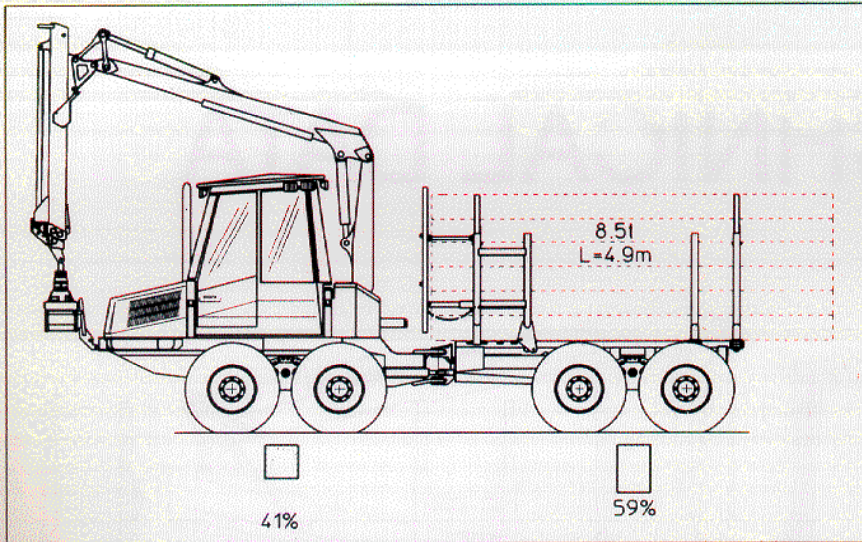
Service and working brakes are hydraulically actuated, oil immersed multiple disc brakes. Identical in both axles. Spring actuated parking and emergency brakes in front and rear bogie.

### Hydraulic system

Timberjack TMC system. Load-sensing hydraulic system with power control. Working pressure 24 MPa. Pump capacity: working hydraulics 178 l/min, power train 180 l/min. Hydraulic oil reservoir volume 85 l.

### Electrical system

Voltage 24 V. Batteries 2x105 Ah. Alternator 100 A/28 V. Working lights 8x140 Twin Power.



#### Loader

F51 FH 65

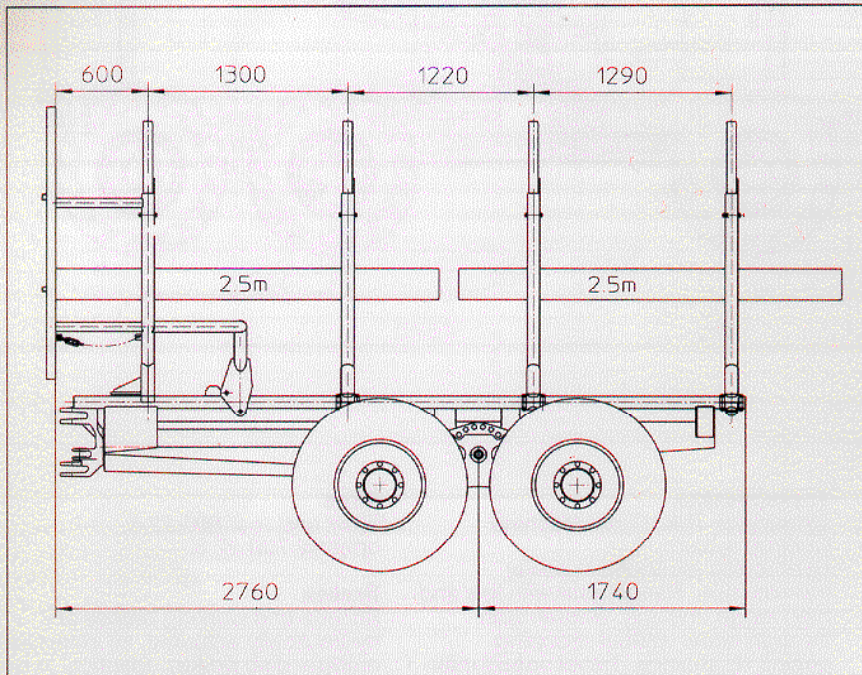
Lift moment gross 64 kNm.

Reach 6.5 m, optional 8.7 m or 9.6 m.

#### Cab

Spacious, light and comfortable cab giving the operator excellent vision in all directions. Efficient heating and air-conditioning. Thanks to the unique mounting of the cab, the noise level and vibrations are exceptionally low. Noise level according to ISO 5131:1993 below 70 dB(A). The cab can be raised and shifted to the side for easy service access. Safety tested according to ISO-standards. Radio/cassette recorder. Connection for cellular phone. Tinted polycarbonate windows.

Standard and optional equipment may vary. For details, contact your local dealer.



#### Standard equipment

Tools. Operators Manual. Spare Parts Catalogue. Fire extinguisher. Travel distance display on TMC. Constant engine revolution regulator on TMC. Engine oil extraction pump.

#### Optional equipment

Exhaust catalytic converter. Engine and cab preheater. Air cushioned seat. Electrical refill pump for hydraulics. Vacuum pump for hydraulics. Extra fire extinguisher. Fire Extinguishing System, night automatic. Tracks. Chains. Dozer blade. Biodegradable hydraulic oil. Stability brake. Preparedness for clambunk. Loadstakes for 3x1.15 m. Working lights 2x70W on loader. Working lights 2x70W on cabin lower corner.

All rights to alterations reserved.

Timberjack Europe

Timberjack AB  
P. O. Box 502  
S-19525 Märsta, Sweden  
Tel. +46 8 591 252 00  
Fax +46 8 591 112 61

# Timberjack

Timberjack Group • A Member of Rauma Corporation