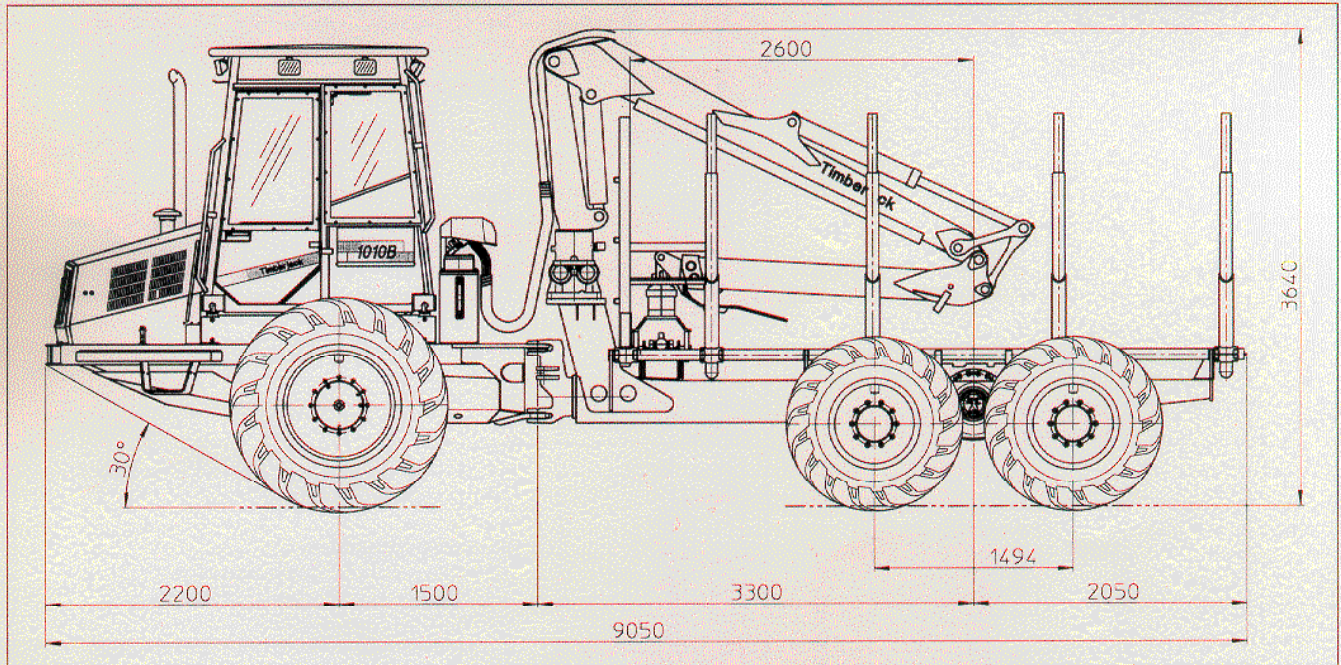


SPECIFICATIONS



Dimensions

Length 9 000 mm (29 ft.5 in.)
 Width 2 680 mm (105 in.) with
 23.1x26/600x26.5 tires,
 optional 2 860 mm (113 in.) with
 28Lx26/700x26.5 tires
 Transport height 3 700 mm (146 in.)
 Ground clearance 605 mm (24 in.)
 Wheelbase 4 800 mm (189 in.)

Weight

These details vary depending on
 equipment specified. Contact your dealer
 for details.

6-wh 12 000-12 500 kg
 (26,450-27,560 lbs.)
 4-wh 11 000-11 500 kg
 (24,250-25,350 lbs.)

Load Area

Length 4 600 mm (181 in.)
 Width 2 560 mm (101 in.)
 Max. cross section 3,5 m² (37.7 ft²)
 Max. load rating 10 000 kg (22,000 lbs.)

Engine

Cummins 4BTA water-cooled
 turbocharged 4-cylinder diesel engine.
 Output 87 kW(118 hp)/2500 rpm.
 Max. torque 407 Nm (552 lb. ft.)/1600 rpm.
 Fuel tank capacity 140 l (37 U.S. gal.)

Transmission

Hydrostatic-mechanical power.
 Range gear with low and high range.
 Travel speed max. 20 km/h (12.4 mph.).
 Max. tractive force 140 kN (30,800 lbs.).

Axles

6-wh: Rigid single axle on the front, full
 gear bogie axle with portal type bogie
 beams on the rear.
 4-wh: Rigid axles on the front and rear.
 Hydraulically operated mechanical
 differential locks front and rear.
 Disconnection of rear axle drive with high
 range.

Steering

Articulated frame steering with two
 hydraulic steering cylinders. Steering
 angle $\pm 44^\circ$. Proportional steering with
 electric joystick.

Tires

6-wh front 23.1-26 and rear 600-26.5,
 optional front 28L-26 and rear 700-26.5.
 4-wh 23.1-26, front and rear, optional front
 and rear 28L-26.

Brakes

Service and working brakes are
 hydraulically actuated, oil immersed
 multiple disc brakes. Spring actuated
 parking and emergency brakes.

Hydraulic system

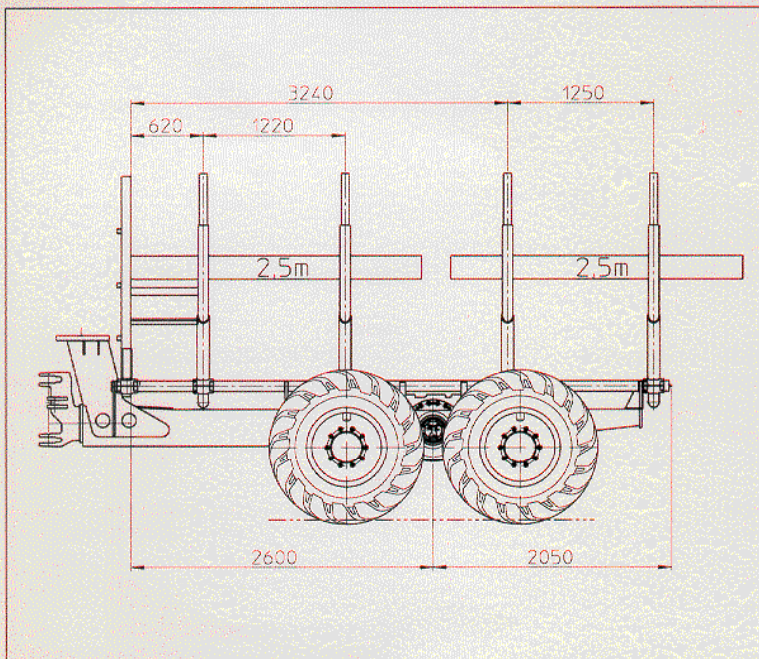
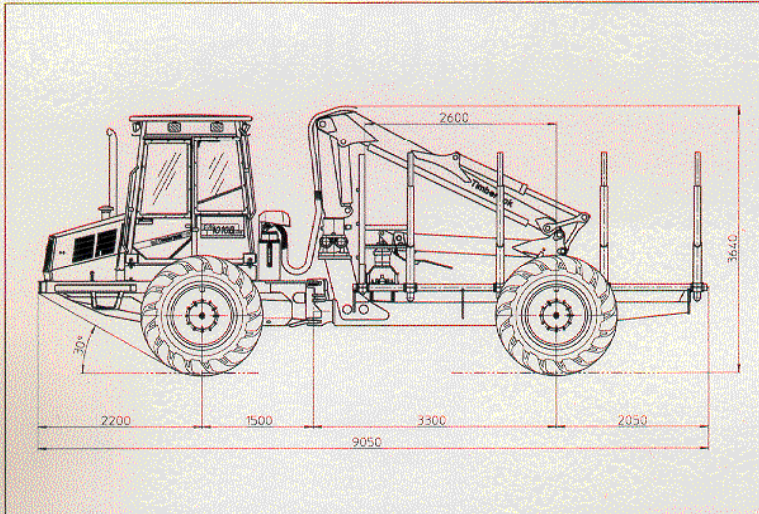
Timberjack Loader Control System (LCS).
 Load-sensing hydraulic system with power
 control. Working pressure 21.5 Mpa
 (3117 psi.) Pump capacity: working
 hydraulics 160 l/min (42 U.S. gpm), power
 train 150 l/min (39.6 U.S. gpm.). Hydraulic
 oil reservoir volume 110 l (29 U.S. gal.).

Electrical system

Voltage	24 V
Batteries	2x110 Ah
Alternator	70 A/24 V.

1010B

Timberjack Forwarder



Loader

Model F61 F72, telescopic
Gross lifting moment 92 kNm (67 850 lb. ft.)
Reach 7,2 m (23 ft.), optional 8,5 m (27 ft.)

Log Grapples Available:

Loglift	FX25	FX35
Gripping area	25m ² (2.7ft. ²)	35 m ² (3.8 ft. ²)
Max gripping width	1 490 mm (59")	1 575 mm (62"0)
Max. load	4 000 kg (8,820 lbs.)	4 000 kg (8,820 lbs.)

Hultdins	SG260	SG360
Gripping area	26m ² (2.8 ft. ²)	36m ² (3.8 ft. ²)
Max gripping width	1 520 mm (60")	1 840 mm (72")
Max. load	3 500 kg (7,700 lbs.)	5 000 kg (11,000 lbs.)

Cab

Spacious, light and comfortable cab giving the operator excellent visibility in all directions. Efficient heating and air-conditioning. The cab can be tilted for easy service access. The cab meets ISO standards for ROPS, FOPS, OPS. Noise level according to ISO 5131:1993 below 72 dB(A) at working RPMs. Radio/cassette stereo. Tinted Lexan windows.

Notice!

Standard and optional equipment may vary. For details, contact your local dealer.

Standard equipment

Operator's Manual. Spare Parts Catalogue. Fire extinguisher. Stability frame brake. Mineral hydraulic oil. Deluxe fully adjustable swivel cloth suspension seat with seat belt and arm rests.

Optional equipment

Bogie tracks. Spare wheels. Decking blade. Working lights 12x70W.

Unless noted otherwise, technical data is the same for both 6-wheel and 4-wheel forwarders.

The manufacturer reserves the right to make changes or add improvements at any time without incurring any obligation to make such changes on machines manufactured previously.

Timberjack Group • A Member of Rauma Corporation

Timberjack Corporation
6215 Fulton Industrial Blvd. Unit E
Atlanta, Georgia 30336-2859 USA
Phone: (404)629-9044 Marketing Fax: (404)629-2216

Timberjack

© Timberjack is a registered trademark of Timberjack Inc.

Printed with vegetable inks

Printed in Canada BP-10M-10/97