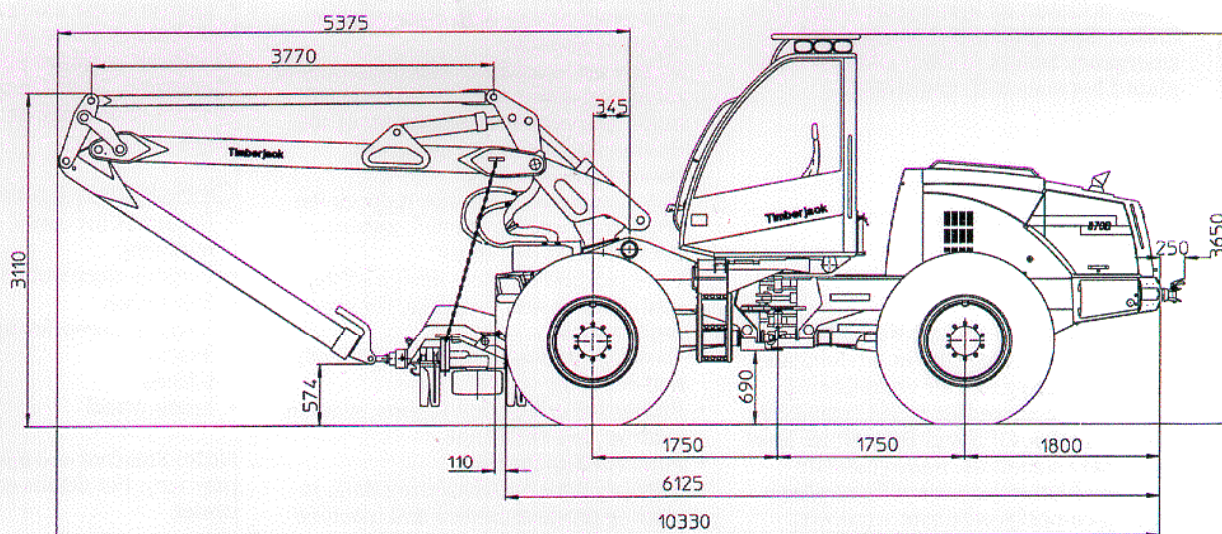


Timberjack

870B

Harvester



Technical specifications

Dimensions

Length, chassis	6125 mm
Width 600-series tires	2620 mm
Width 700-series tires	2800 mm
Height	3650 mm
Ground clearance	690 mm
Weight depending on options, min.	12,200 kg

Engine

Perkins 1006-60T turbocharged 6-cylinder diesel engine	
Power output	113 kW/2200 rpm
Torque	610 Nm/1600 rpm
Displacement	6,0 l
Fuel tank	300 l

Transmission

Hydrostatic-mechanical power transmission, two-speed gear box	
Travel speed	0-25 km/h
Max tractive force	121 kN

Axles

Patented hydraulically controlled HEVO-axle system. The HEVO-system smooths out the roughest terrain for a bogie-like ride. Hydraulically operated mechanical diff. lock in front and rear axle.

Hydraulic system

Load-sensing, pressure relieved constant pressure system	
Pump capacity	240 l/1800 rpm
Working pressure	24 MPa

Timberjack TMC-system (Total Machine Control)

Controls engine, transmission and crane. Driver specific parameters for 7 operators and two factory settings.

Electrical system

Voltage	24 V
Batteries	2 x 115 Ah
Alternator	28 V, 140 A
Working lights; 14 lamps (2 x 70 W) twin power and 8 lamps (70 W)	
More than 30 lux in working area.	

Steering

Articulated frame steering with two hydraulic cylinders. Proportional steering with electrical joystick.



Brakes

Service and working brakes are hydraulically actuated, oil immersed multiple disc brakes. Spring actuated parking and emergency brakes in front and rear axle placed between diff. and wheel.

Tires

Front 600 x 34
Rear 600 x 34
Options, front 700 x 34
rear 700 x 34

Cab

Spacious, well-lit and comfortable cab offers excellent visibility in all directions. Efficient heating and air conditioning. Safety tested according to ISO standards (ROPS, FOPS, OPS and BC). Noise level meets ISO standards. Radio/cassette recorder. Connection for cellular phone. Light green polycarbonate windows.

Crane

TJ 170 H parallel motion knuckle boom
Max reach with head 9.3 m and 10.0 m
Gross lifting torque 125 kNm
Gross slewing torque 38.4 kNm
Slewing angle 236°
Tilt angle -15°+15°

Measuring system

Timberjack 3000 measuring and control system:

- Easy to use, information is displayed on a large screen with clear graphic symbols and text
- Highly automated harvester head control including automatic saw bar control, automatic pressure adjustment of the delimiting knives and automatic harvester head tilt-up
- Modular based CAN-bus reduces the amount of cabling needed, ensuring accuracy and reliability
- Compact and efficient design of the push buttons and joysticks, for good ergonomics
- Easy calibration of measuring length and diameter
- Printer for production reports, machine settings, log charts, etc.
- Fault finding function
- Memory card for transferring data, including production data and machine

settings (PCM CIA-card).

- Comprehensive product support and operator training

Different levels of software programs depending on customer needs:

- Control for color marking and stump treatment
- Price and priority-based optimization
- Operation and service follow-up program
- Versatile data transfer options
- Option to use electronic calipers

The features above are available as part of various software packages. The Timberjack 3000 can include any or all of them depending on your specific needs.

Optional equipment

- Preheater for cabin, engine and hydr.tank
- Portable electrical refill pump for fuel
- Sun blinds
- Vacuum pump for hydraulics
- Tracks
- Chains
- Spare wheel

Note: Standard and optional equipment may vary. For details contact your local dealer.

Timberjack harvester heads

Model:	743C	745	746C
Max opening upper knives, mm	400	560	450
Max opening lower knives, mm	500	-	500
Max opening feed rollers, mm	460	560	500
Max width head, mm	1380	1280	1380
Delimiting diameter tip to tip, mm	350	400	390
Max cutting diameter, mm	450	550	500
Weight incl rotator and link, kg	830-850	790-810	930-960
Feed force, kN	16.8/20.9*	16.0/20.0*	20.9/26.3**
Chain speed, m/s	40	41	40
Pump capacity, l/min (recom.)	160-230	200-250	200-285
Operating pressure max, MPa	25	24	25
Saw bar, mm	540	640	640
Max reach with the TJ170H crane, m	10.0	10.0	9.3

* = with 400/500 cc motor

**=with 500/630 cc motor

The manufacturer reserves the right to make changes or add improvements without incurring any obligation to make such changes on machines manufactured previously.

Timberjack

Doing more

Timberjack Group · A Member of Rauma Corporation
Timberjack AB, P.O.Box 502, S-195 25 Märsta, Sweden
Tel.: +46 8 591 252 00, Fax: +46 8 591 112 61
www.timberjack.com